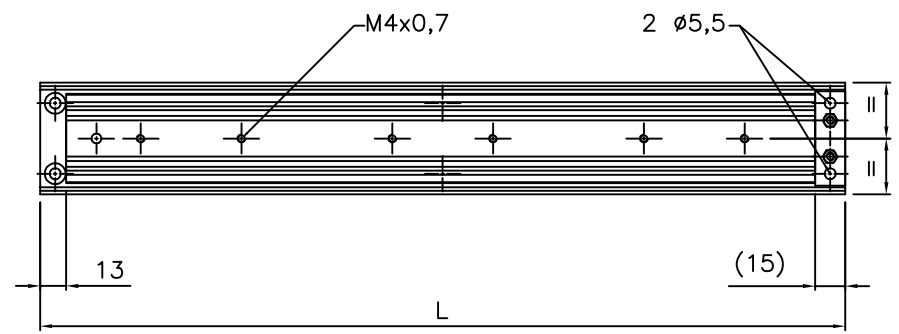
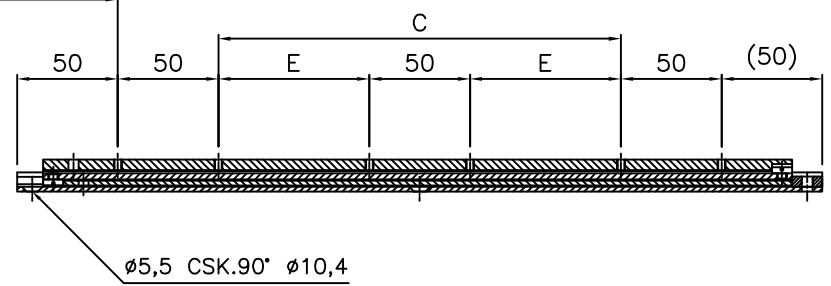
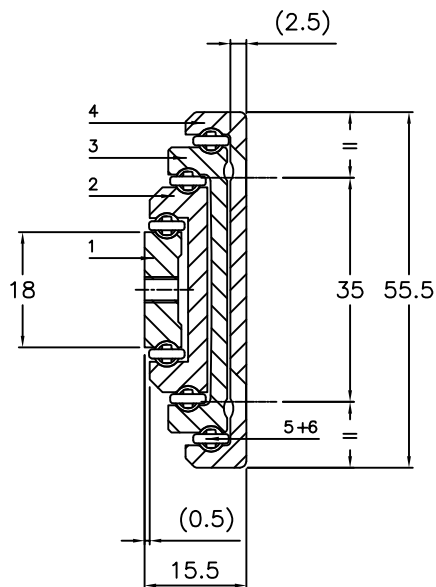


– PROFILE :



– MATERIAL

- 1 – Inner beam : Steel
- 2 – Intermediate beam : Steel
- 3 – Intermediate beam : Steel
- 4 – Outer beam : Steel
- 5 – Bearing $\phi 4$: Steel
- 6 – Ball retainer : Plastic

– SURFACE FINISH : Zinc plating

– WEIGHT : 4,5 Kg/m



– OPTIONS :

Different slide lengths, extension, surface finish, ϕ and holes centres to customer's requirement.

– Results given according to our load testing protocol (www.chambrelan.com)

* Loads indicated for a pair of slides mounted on the major axis evenly distributed load.

– Dimensions in mm

RA654	Profile tolerance : iso 2768 c L	Machining tolerance: iso 2768 m K
FT 031 – STEEL		 www.chambrelan.com
 21.11.2011		

L	250	300	350	400	450	500	550	600	650	700	750	800
A	235	285	335	385	435	485						
B							267.5	292.5	317.5	342.5	367.5	392.5
C	50	100	150	200	250	300						
E							150	175	200	225	250	275
D	375	450	525	600	675	750	825	900	975	1050	1125	1200
Load* (Kg)	47	45	42	40	37	35	32	30	27	25	22	20
Deflexion (mm)	3	3	4	4	5	5	6	6	7	7	8	8

 DO NOT DISMOUNT THE SLIDE !

Do not modify the slides !

In a constant effort of improvement, the company reserves the right to modify its products without notice. No contractual information.